



# EC6068

Battery Module Rechargeable



- Sealed EMI/RFI shielded aluminum box
- Battery charge condition indicator
- ON/OFF switch exposing red for ON
- Internal automatic 0.5A fuse

## EC6068

Underwater sound measurements at sea or in the field often require hydrophones with built-in preamplifiers with a portable DC voltage supply.

The TC6068 Battery Module provides an ideal portable and compact DC source for the hydrophones and the conditioning amplifiers VP1000 and CCA 1000.

The EC6068 consists of a 12 Volt/1.2Ah Ni-Ca high quality battery enclosed in a sealed EMI/RFI shielded aluminum case.

### TECHNICAL SPECIFICATIONS

Battery voltage:	12 Volt
Battery capacity:	1.2Ah
Typical recharge time:	10 hours (avoid over charging)
Operating time w. Hydrophone type:	
TC4032:	>12 hours
TC4035:	> 20 hours
Temperature range:	
Operating:	-10 to +50°C
Storage:	-30 to +50°C
Battery type:	Ni Ca
Accessories included:	TL8084 DC Supply cable
Dimensions:	L.w.h. 125 x 80 x 60mm
Weight including cable:	1.4kg

The battery condition is displayed on the indicator with a red and green field. The battery is fully charged when the pointer centered in the green field.

The ON/OFF switch is exposing a red mark in ON position to remind the user to shut off the module when not in use.

The EC 6068 battery can be recharged by use of EC 6072 battery charger connected with, a TL 8084 cable.

The EC6068 output is short circuit protected at 0.5 A. The reset time is approximately 2 sec.

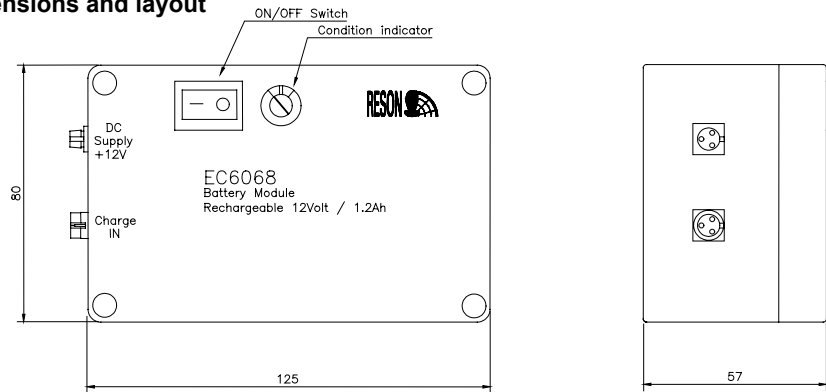




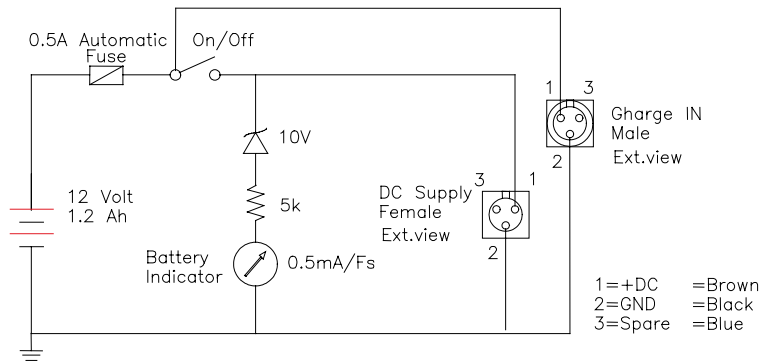
# EC6068

## Battery Module Rechargeable

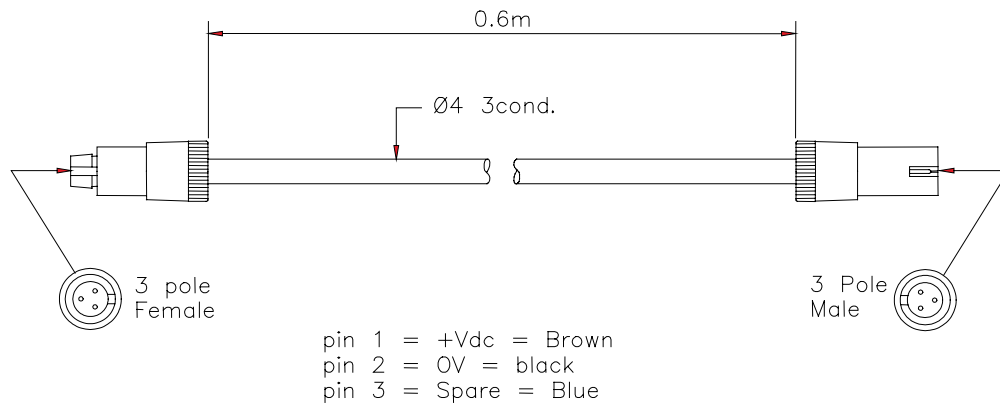
### EC 6068 Outline dimensions and layout



### Circuit Diagram



### DC supply cable TL 8084



RESON reserves the right to change specifications without notice. © 2006 RESON A/S  
For Acoustical Measurement Accuracy please refer to [www.reson.com](http://www.reson.com) or contact sales.

**RESON A/S**  
Denmark  
Tel: +45 4738 0022  
E-mail: [reson@reson.dk](mailto:reson@reson.dk)

**RESON Inc.**  
USA  
Tel: +1 805 964-6260  
E-mail: [sales@reson.com](mailto:sales@reson.com)

**RESON Offshore Ltd.**  
United Kingdom  
Tel: +44 1224 709 900  
E-mail: [sales@reson.co.uk](mailto:sales@reson.co.uk)

**RESON GmbH**  
Germany  
Tel: +49 431 720 7180  
E-mail: [reson@reson-gmbh.de](mailto:reson@reson-gmbh.de)

**RESON B.V.**  
The Netherlands  
Tel: +31 (0)10 245 1500  
E-mail: [info@reson.nl](mailto:info@reson.nl)

**RESON Mediterranean SRL**  
Italy  
Tel: +39-051-572-643  
E-mail: [info@reson.it](mailto:info@reson.it)